



# Instructor Materials

## Chapter 1: LAN Design



# CCNA Routing and Switching

## Scaling Networks

Cisco | Networking Academy®  
Mind Wide Open™



## Chapter 1: LAN Design



## Scaling Networks

Cisco | Networking Academy®  
Mind Wide Open™



# Chapter 1 - Sections & Objectives

- 1.1 Campus Wired LAN Designs
- Explain why it is important to design a scalable hierarchical network.
- 1.2 Selecting Network Devices
- Select network devices based on feature compatibility and network requirements.



## 1.1 Campus Wired LAN Designs

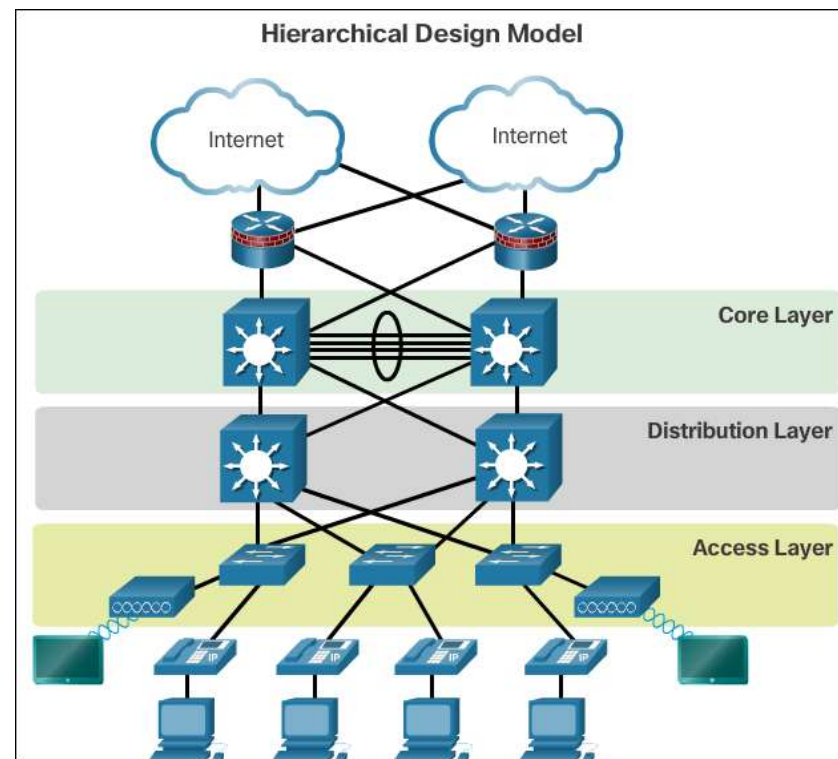


Cisco | Networking Academy®  
Mind Wide Open™



## Campus Wired LAN Designs Cisco Validated Designs

- The Need to Scale the Network
- All enterprise networks must: support critical applications, support converged network traffic, support diverse business needs, and provide centralized administrative control.
- Campus network designs include small networks that use a single LAN switch, up to very large networks with thousands of connections.
- A hierarchical LAN design includes the access, distribution, and core layers:
- The access layer provides endpoints and users direct access to the network.
- The distribution layer aggregates access layers and provides connectivity to services.
- The core layer provides connectivity between distribution layers for large LAN environments.

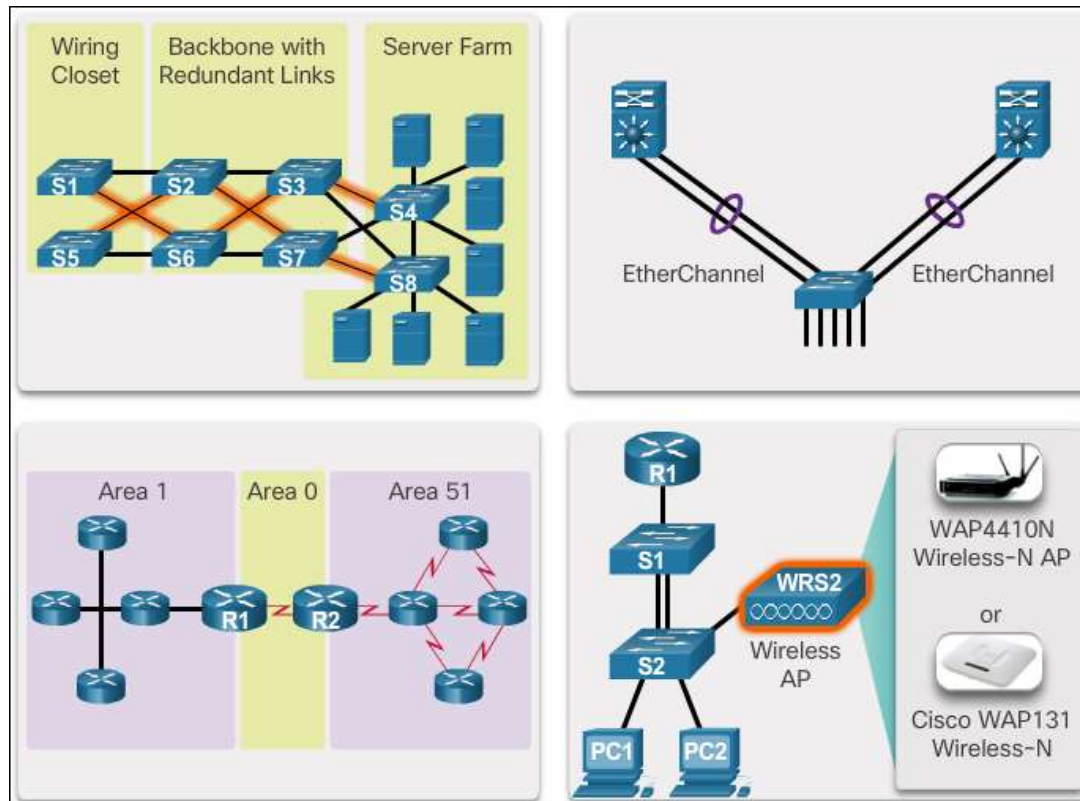




# Campus Wired LAN Designs

## Expanding the Network

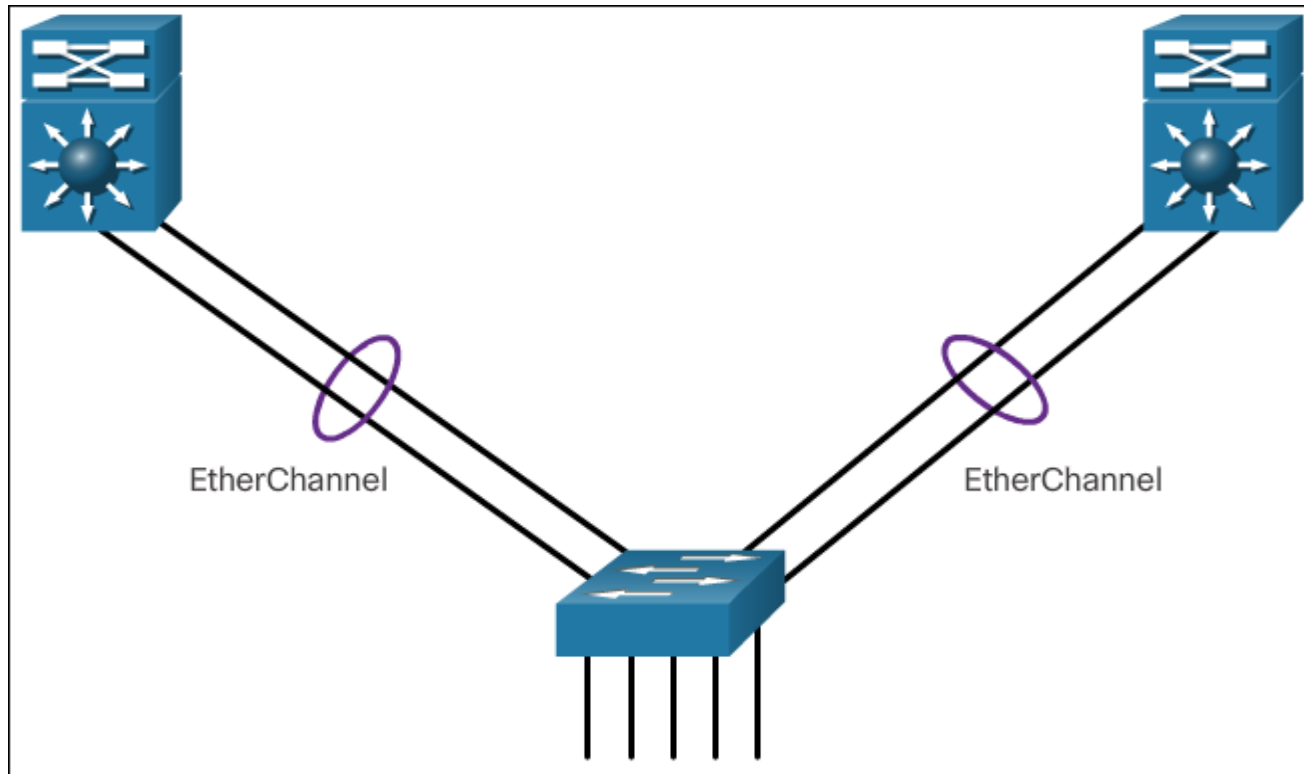
- To support a large, medium or small network, the network designer must develop a strategy to enable the network to be available and to **scale** effectively and easily.
- One method of implementing **redundancy** is by installing **duplicate equipment** and providing **failover services** for critical devices. Another method of implementing redundancy is **redundant paths**.





## Campus Wired LAN Designs Expanding the Network (Cont.)

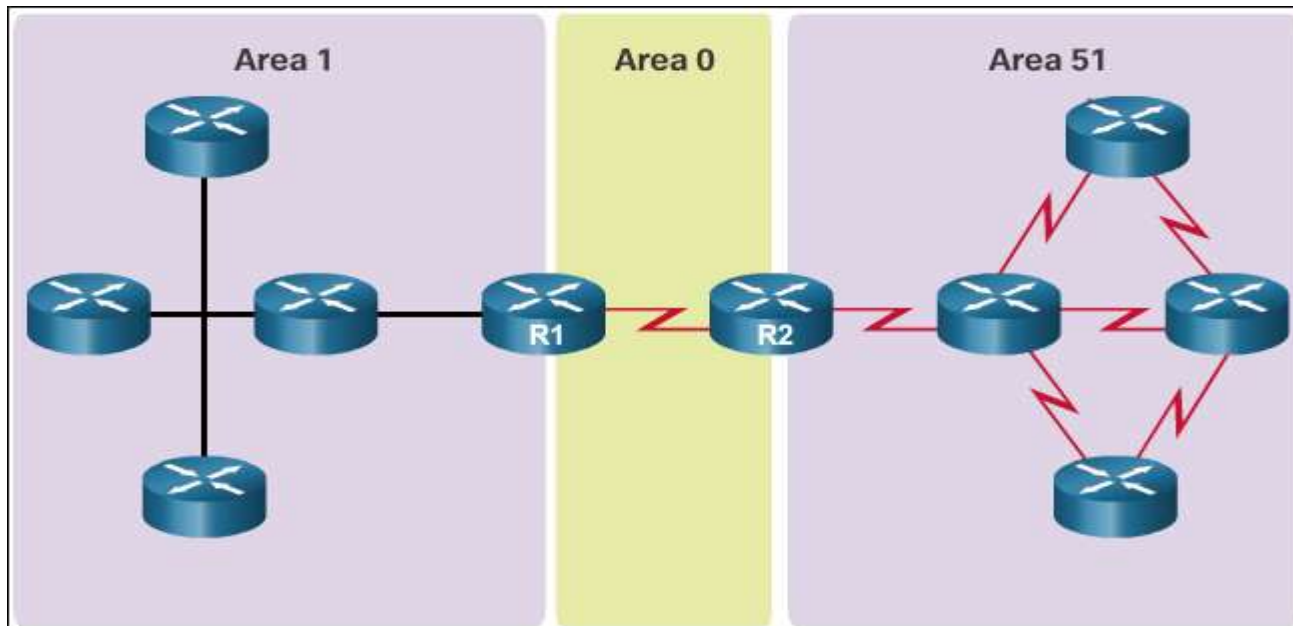
- A failure domain is the area of a network that is impacted when a critical device or network service experiences problems. Smaller failure domains reduce the impact of a failure on company productivity.
- Link aggregation allows an administrator to increase the amount of bandwidth between devices by creating one logical link made up of several physical links. EtherChannel is a form of link aggregation used in switched networks.





## Campus Wired LAN Designs Expanding the Network (Cont.)

- To communicate wirelessly, end devices require a wireless NIC that incorporates a radio transmitter/receiver and the required software driver to make it operational. Additionally, a wireless router or a wireless access point (AP) is required for users to connect.
- Link-state routing protocols, such as Open Shortest Path First (OSPF), works well for larger hierarchical networks where fast convergence is important. OSPF routers establish and maintain neighbor adjacency or adjacencies, with other connected OSPF routers.







## 1.2 Selecting Network Devices



Cisco | Networking Academy®  
Mind Wide Open™



## Selecting Network Devices Switch Hardware

- There are **five categories** of switches for enterprise networks: **Campus LAN, Data Center, Cloud-Managed, Service Provider, and Virtual Networking.**
- The **port density** of a switch refers to the number of ports available on a single switch. Fixed configuration switches typically support up to 48 ports on a single device. **Modular switches can support very high-port densities through the addition of multiple switch port line cards.**



24-port switch



48-port switch



Modular switch with up to 1000+ ports



## Selecting Network Devices Switch Hardware (Cont.)

- **Forwarding rates** define the processing capabilities of a switch by rating how much data the switch can process per second.
- **Wire speed is the data rate that each Ethernet port on the switch is capable of attaining.** Data rates can be 100 Mb/s, 1 Gb/s, 10 Gb/s, or 100 Gb/s.
- **Less expensive, lower performing switches can be used at the access layer, and more expensive, higher performing switches can be used at the distribution and core layers,** where the forwarding rate has a greater impact on network performance.

24-port Gigabit Ethernet Switch



Capable of switching 24 Gb/s of traffic

48-port Gigabit Ethernet Switch

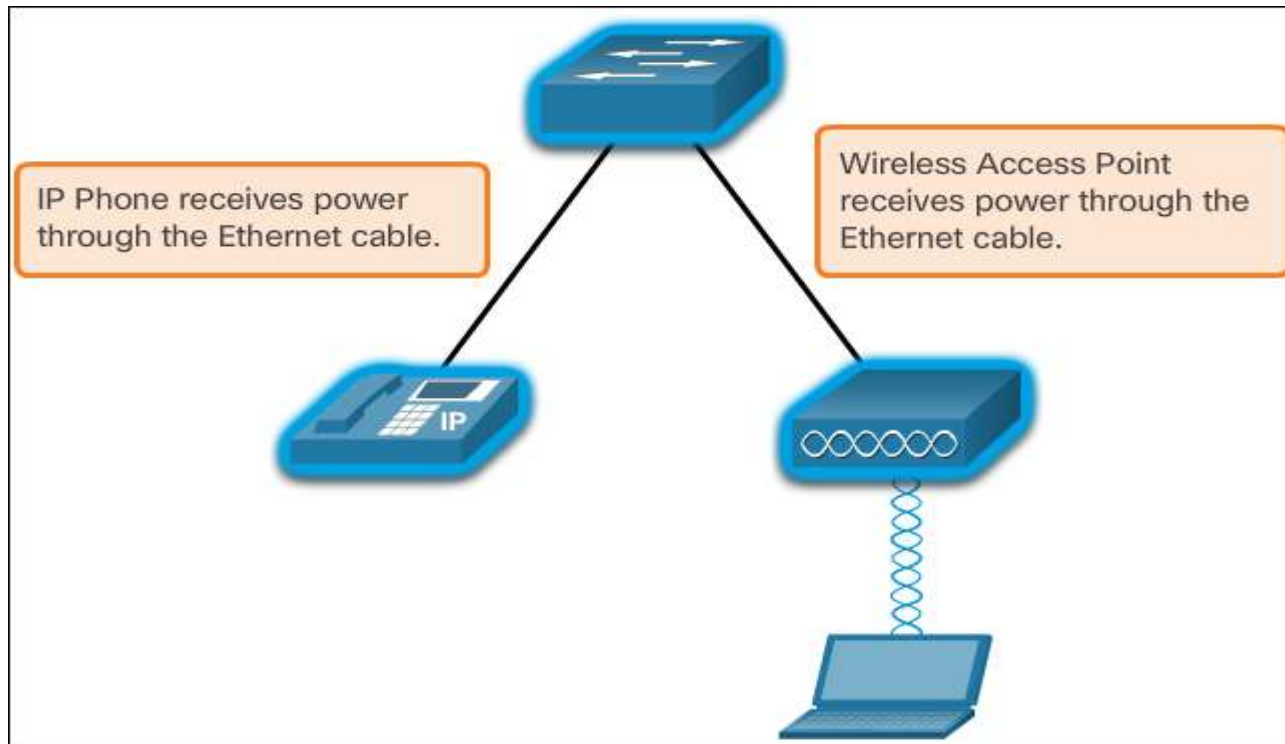


Capable of switching 48 Gb/s of traffic



## Selecting Network Devices Switch Hardware (Cont.)

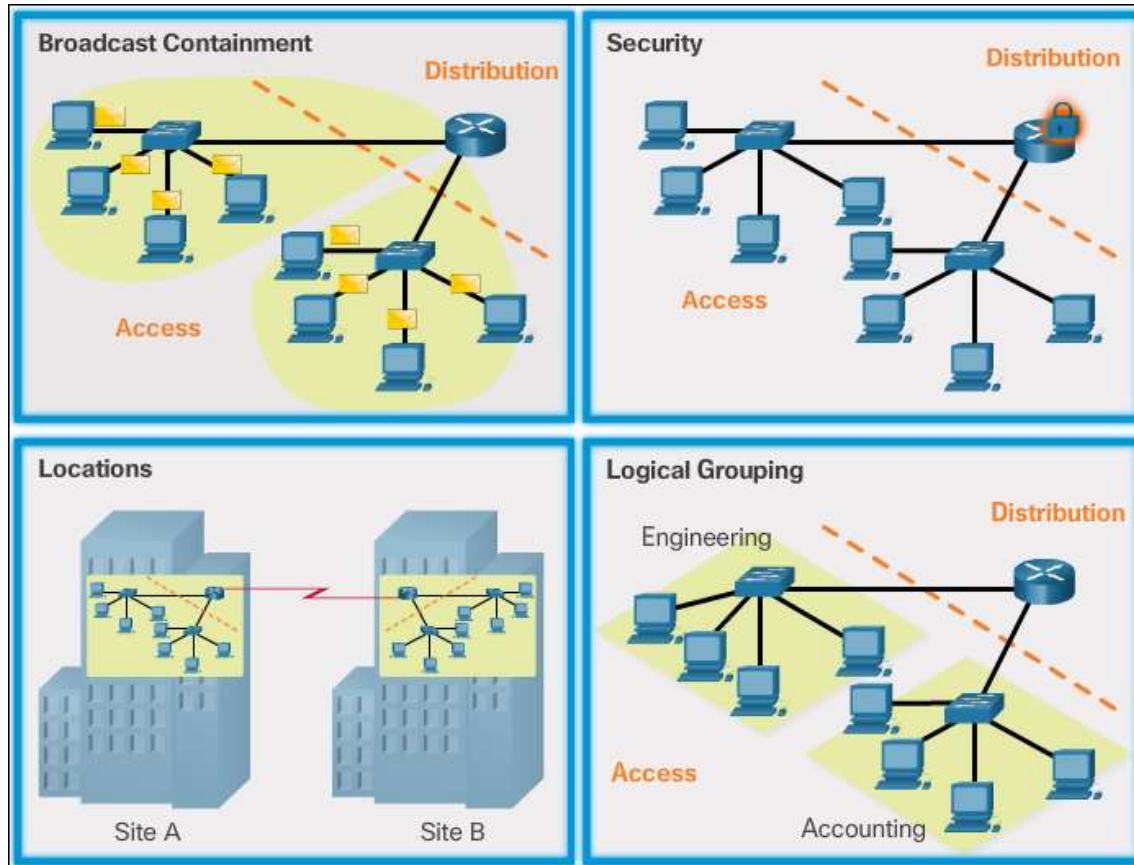
- **Power over Ethernet (PoE)** allows the switch to deliver power to a device over the existing Ethernet cabling.
- **Multilayer switches** are typically deployed in the core and distribution layers of an organization's switched network. Multilayer switches are characterized by their ability to build a routing table, support a few routing protocols, and forward IP packets at a rate close to that of Layer 2 forwarding.





## Selecting Network Devices Router Hardware (Cont.)

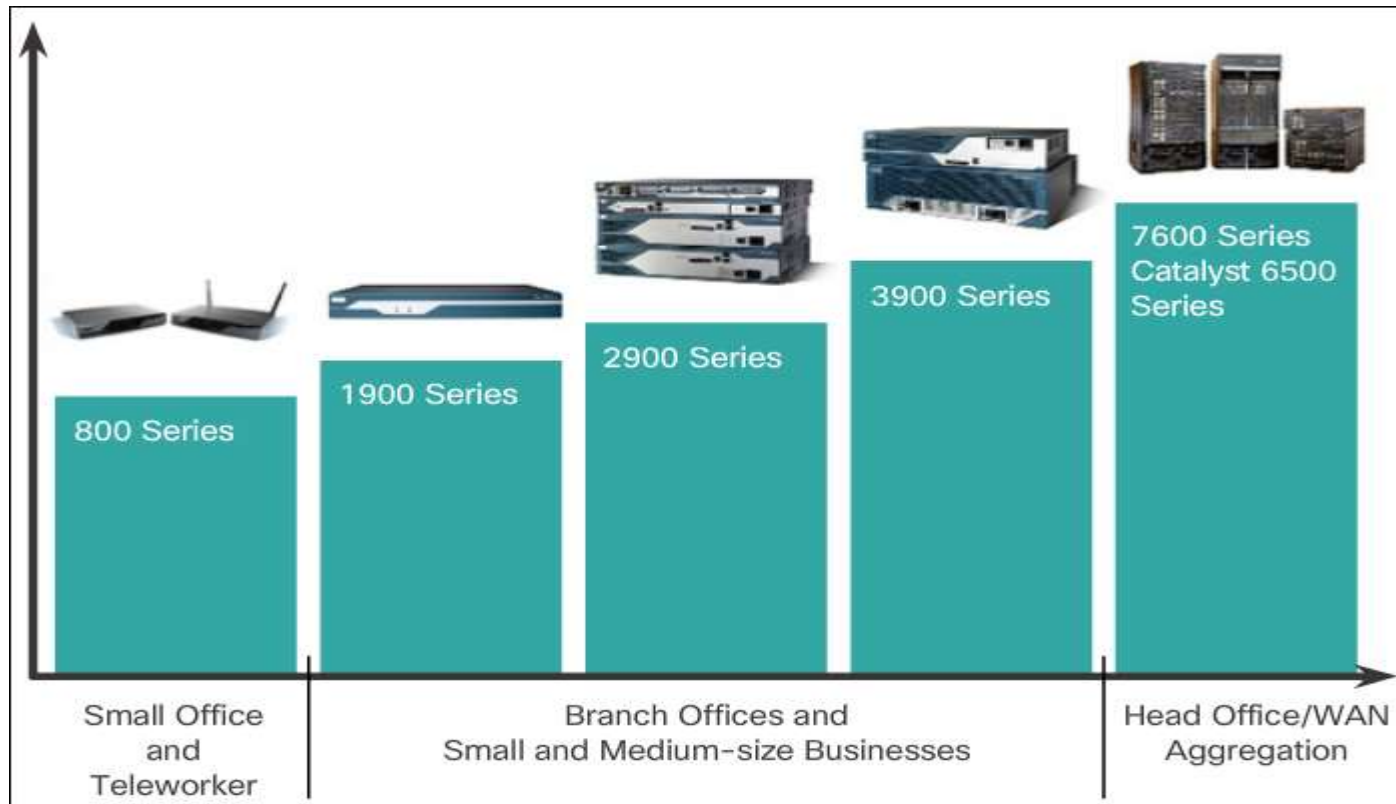
- Routers play a critical role in networking by connecting homes and businesses to the Internet, interconnecting multiple sites within an enterprise network, providing redundant paths, and connecting ISPs on the Internet. They also act as a translator between different media types and protocols.





## Selecting Network Devices Router Hardware (Cont.)

- There are three categories of routers: Branch, Network Edge, and Service Provider.
- Routers also come in many form factors. Network administrators in an enterprise environment should be able to support a variety of routers, from a small desktop router to a rack-mounted or blade model.

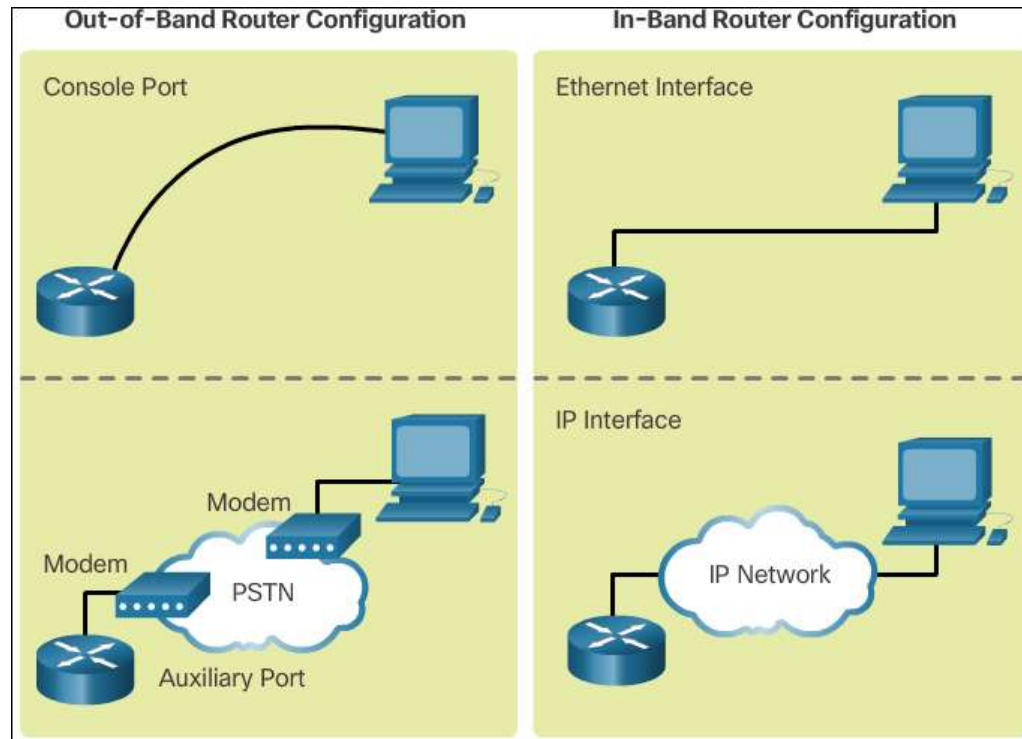




## Selecting Network Devices

### Managing Devices

- IOS refers to the package of routing, switching, security, and other internetworking technologies integrated into a single multitasking operating system.
- **Out-of-band management** is used for initial configuration or when a network connection is unavailable.
- **In-band management** is used to monitor and make configuration changes to a network device over a network connection.





## Selecting Network Devices

### Managing Devices (Cont.)

- **A basic router configuration** includes the hostname for identification, passwords for security, assignment of IP addresses to interfaces for connectivity, and basic routing. Verify and save configuration changes using the copy running-config startup-config command. To clear the router configuration, use the erase startup-config command and then the reload command.
- Some of the most commonly used IOS commands to display and verify the operational status of the router and related IPv4 network functionality are
- **show ip protocols** - Displays information about the routing protocols configured.
- **show ip route** - Displays routing table information, including: routing codes, known networks, administrative distance and metrics, how routes were learned, next hop, static routes, and default routes.
- **show interfaces** - Displays interfaces with line (protocol) status, bandwidth, delay, reliability, encapsulation, duplex, and I/O statistics.
- **show ip interfaces** - Displays interface information, including: protocol status, the IPv4 address, if a helper address is configured, and whether an ACL is enabled on the interface.
- **show ip interface brief** - Displays all interfaces with IPv4 addressing information and interface and line protocols status.
- **show protocols** - Displays information about the routed protocol that is enabled, and the protocol status of interfaces.





## Selecting Network Devices

### Managing Devices (Cont.)

- A basic router configuration includes the hostname for identification, passwords for security, assignment of IP addresses to interfaces for connectivity, and basic routing.
- **Verify and save configuration changes using the copy running-config startup-config command.** To clear the router configuration, use the erase startup-config command and then the reload command.
- Some of the most commonly used IOS commands to display and verify the operational status of the router and related IPv4 network functionality are:
  - show ip protocols
  - show ip route
  - show interfaces
  - show ip interfaces
  - show ip interface brief
  - show protocols

```
R1# show ip interface brief
Interface                IP-Address      OK? Method Status
Embedded-Service-Engine0/0 unassigned     YES unset  administrativ
GigabitEthernet0/0      172.16.1.1     YES manual  up
GigabitEthernet0/1      unassigned     YES unset  administrativ
Serial0/0/0              172.16.3.1     YES manual  up
Serial0/0/1              192.168.10.5  YES manual  up
```



## Selecting Network Devices

### Managing Devices (Cont.)

- **Verify and save the switch configuration using the copy running-config startup-config command.** To clear the switch configuration, use the erase startup-config command and then the reload command. **Erase any VLAN information using the command delete flash:vlan.dat.** When switch configurations are in place, view the configurations using the show running-config command.
- Switches make use of common IOS commands for configuration, to check for connectivity and to display current switch status:
- **show port-security**
- **show port-security address**
- **show interfaces**
- **show mac-address-table**
- **show cdp neighbors**

```
S1# show port-security address
Secure Mac Address Table
-----
```

Vlan	Mac Address	Type	Ports	Remaining Age (mins)
1	0025.83e6.4b01	SecureDynamic	Fa0/18	-
1	0025.83e6.4b02	SecureSticky	Fa0/19	-

# Cisco | Networking Academy<sup>®</sup>

Mind Wide Open<sup>™</sup>

